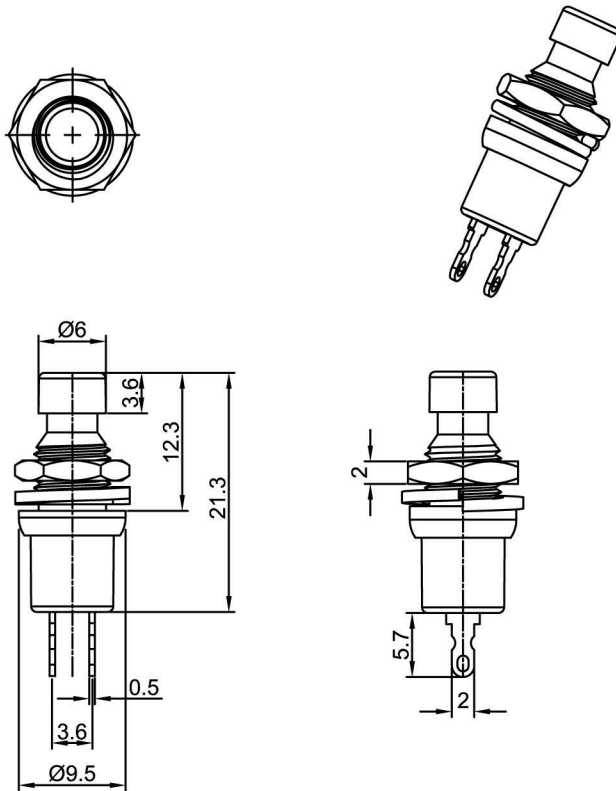


PB05



Rating: 3A 125 VAC

1.5A 250 VAC

Contact Resistance: 20mΩ Max.

Insulation Resistance: DC 500V 100MΩ Min.

Dielectric Strength: AC 1000V 1 minute

Total travel: 1.4±0.4mm

Operating Force: 200±50gf

Mechanical Life: Over 30,000 cycles

Electrical Life: Over 10,000 cycles

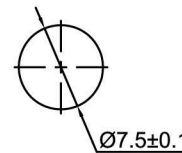
Operating Temperature: -20°C~+70°C

Soldering Temperature: 256°C for 5 Seconds

Function: OFF - (ON)

Welding method: Manual Soldering

(350° C±5° C, 3s±0.5s)



CUT-OUT



Panel Thickness: 3mm MAX.

MATERIAL:

Base: Brass, Chrome or Tin plated ;

Cap: ABS ;

Terminal: Copper, Silver or Tin plated ;

Nut: Brass, Chrome or Tin plated .

PB05-B-B

01.087.0084